

CPVC Pipe & Threaded Fittings

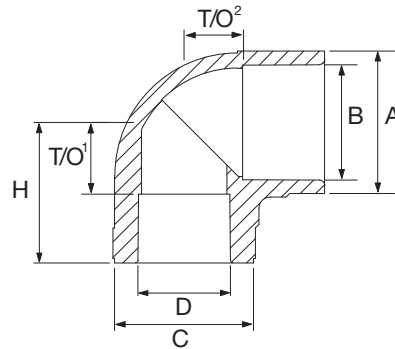
CPVC Fittings

90° Reducing Elbow



Sizes	DN25 x DN20 (1" x 3/4")
Approvals	UL, C-UL Listed & FM, MEA, NSF, & LPCB Approved
Rated Pressure	12,1 bar (175 psi)
Maximum Temperature Rating	65°C (150°F).
Tech Data Sheet	TFP1915 and Installation Handbook - IH-1900

Manufactured with Lubrizol's BLAZEMASTER® compound ■ Produced from BlazeMaster® thermoplastic compound, RAPID RESPONSE CPVC fittings are designed exclusively for use in wet and dry pipe automatic fire sprinkler systems. ■ Our CPVC is easier to install than traditional steel components, while providing superior heat resistance and strength compared to traditional CPVC and PVC fitting materials.



CPVC 90° Reducing Elbow															
Part No.	B		D		A mm	C mm	H mm	T/O ¹ mm	T/O ² mm	Weight kg	Approval Listings				
	DN	In.	DN	In.							LPCB	FM	UL	MEA	NSF
80032	25	1"	20	3/4"	40	40	41	1	17	0.073	√	√	√	√	√